

# MD150T – Digital processing unit with display for force sensors without amplifiers with USB and RS485 interfaces

**P.P.H. WObit E.K.J Ober. s.c.**  
 62-045 Pniewy, Dęboryzce 16  
 tel. 61 22 27 422, fax. 61 22 27 439  
 e-mail: wobit@wobit.com.pl

## Description:

**MD150T** is an universal processing display indented to measurement signals from load cell force sensors. Built-in analog-digital transducer allows for measurement with resolution up to **0,001%\***. The measurement result is presented on six position display.

MD150T has **2 relay outputs, 0-10 V** output and tare input. Built-in operating modes enable the device to be used for dosing without any need for additionally controllers.

MD150T is also equipped with **USB** and **RS485 MODBUS** interfaces. USB interface allows fast configuration and recording measurement data in PC (e.g. to Excel file) with the use of MD150-PC software. MODBUS-RTU allows for reading of measurements from several indicators at the same time to PLC controller, HMI panel or its own PC application.

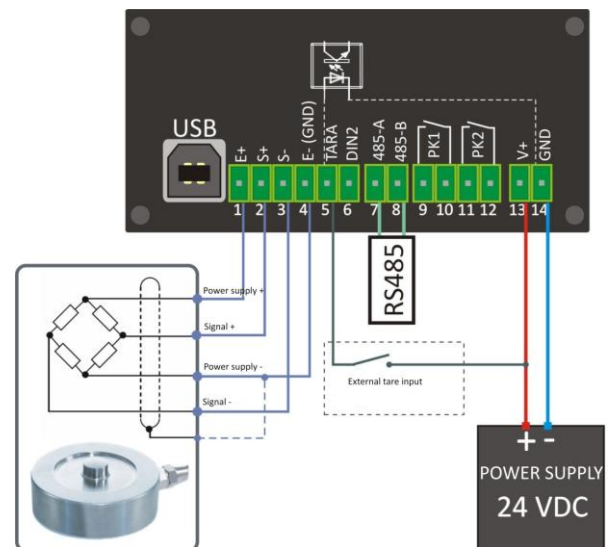
## Features:

- Result conversion to N, kN, g, kg, T, Funt,
- Digital filtering and average of measurements,
- Changes of status of relay outputs based on set thresholds.
- Memory of minimal and maximal value,
- External tare input,
- Cooperation with MD150T-PC software (communication by USB) for configuration and visualization of measurements,
- RS485 MODBUS-RTU interface,
- Robust, aluminum housing.

\*Real measurement accuracy is limited by force sensor parameters

## Technical specification:

Description	Parameter
Power supply	12 ... 36 VDC, 250 mA
Sensor input	±39 mV, supply 5 V
Pomiary	Resolution: 0,001% FS, Temperature error: 0,0025%/C° Measurement frequency: 80 Hz
Relay outputs	2 x <b>1 A/125 VAC, 2 A/30 VDC</b>
0-10 V output	Resolution 2,5 mV
Inputs	2 x optically isolated 3...24 V
Communication	RS485 MODBUS-RTU, default parameters 57600bps, 8:n:1, <b>USB: 1.1, 2.0</b>
Operating temperature range	0..50° C
Display	6 digits, height 13.5 mm
Weight	200 g
IP class	IP40, IP65 for front panel



Example of MD150T external connections.

